

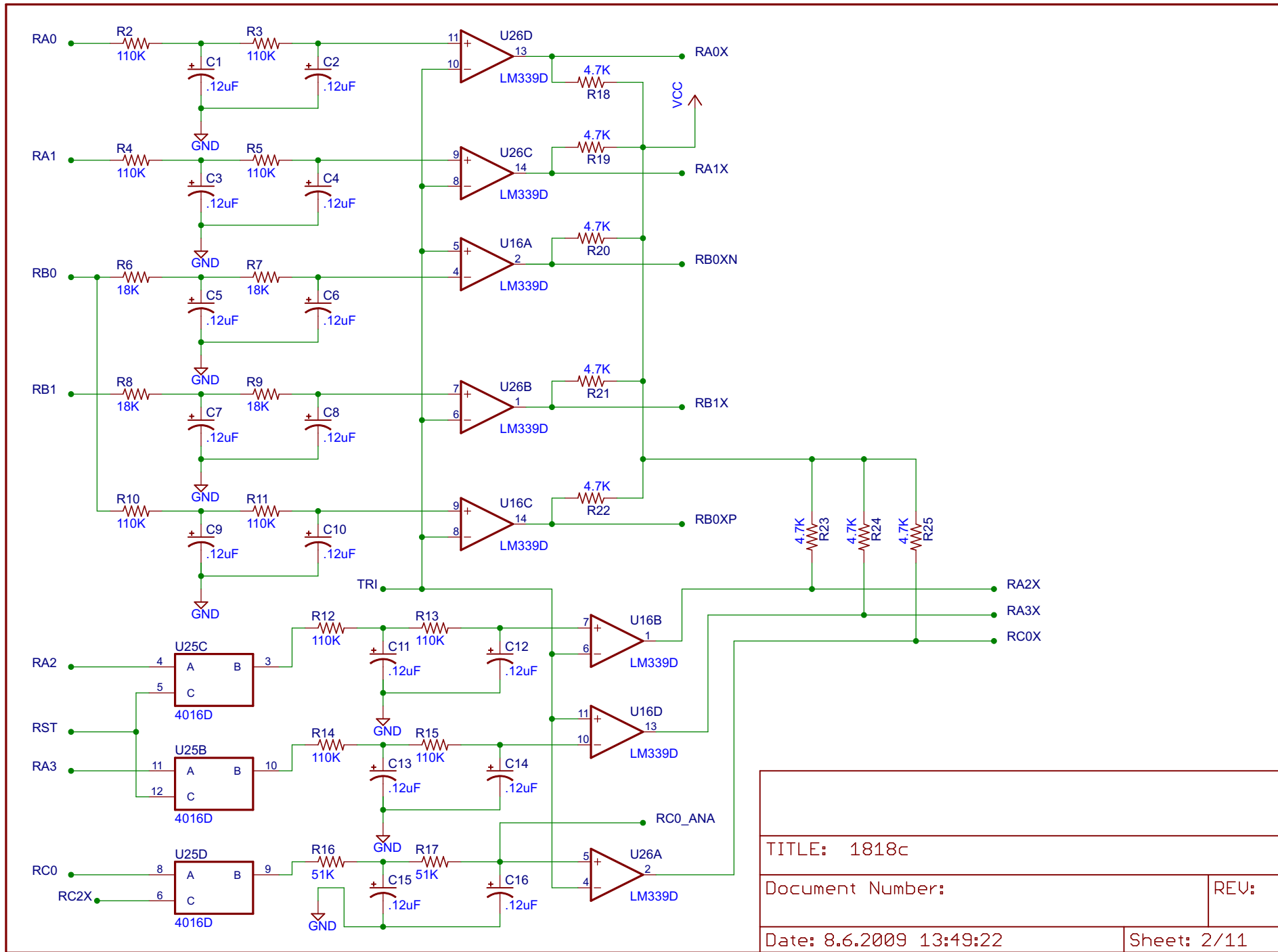
TITLE: 1818c

Document Number:

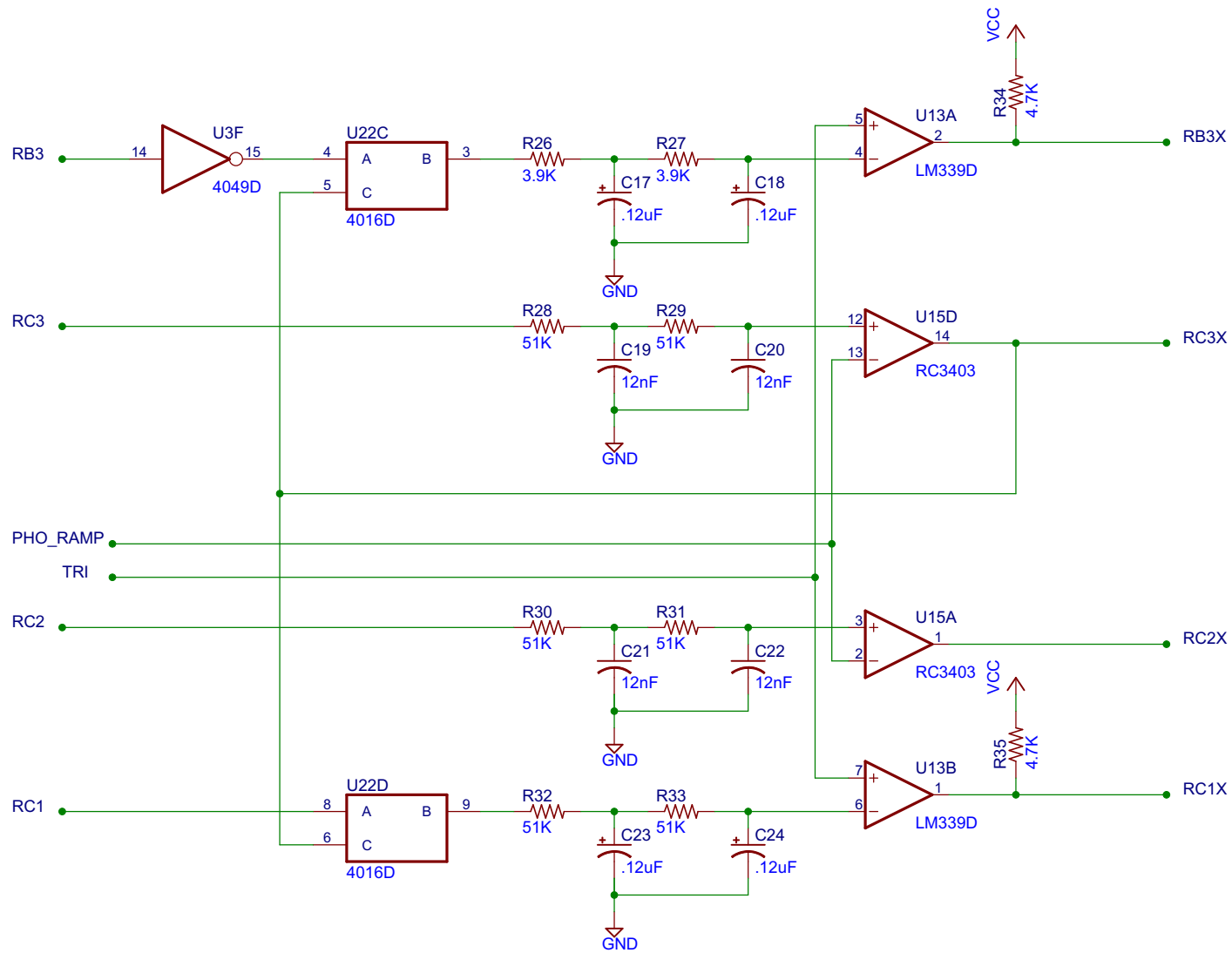
REV:

Date: 8.6.2009 13:49:22

Sheet: 1/11



TITLE: 1818c	
Document Number:	REV:
Date: 8.6.2009 13:49:22	Sheet: 2/11



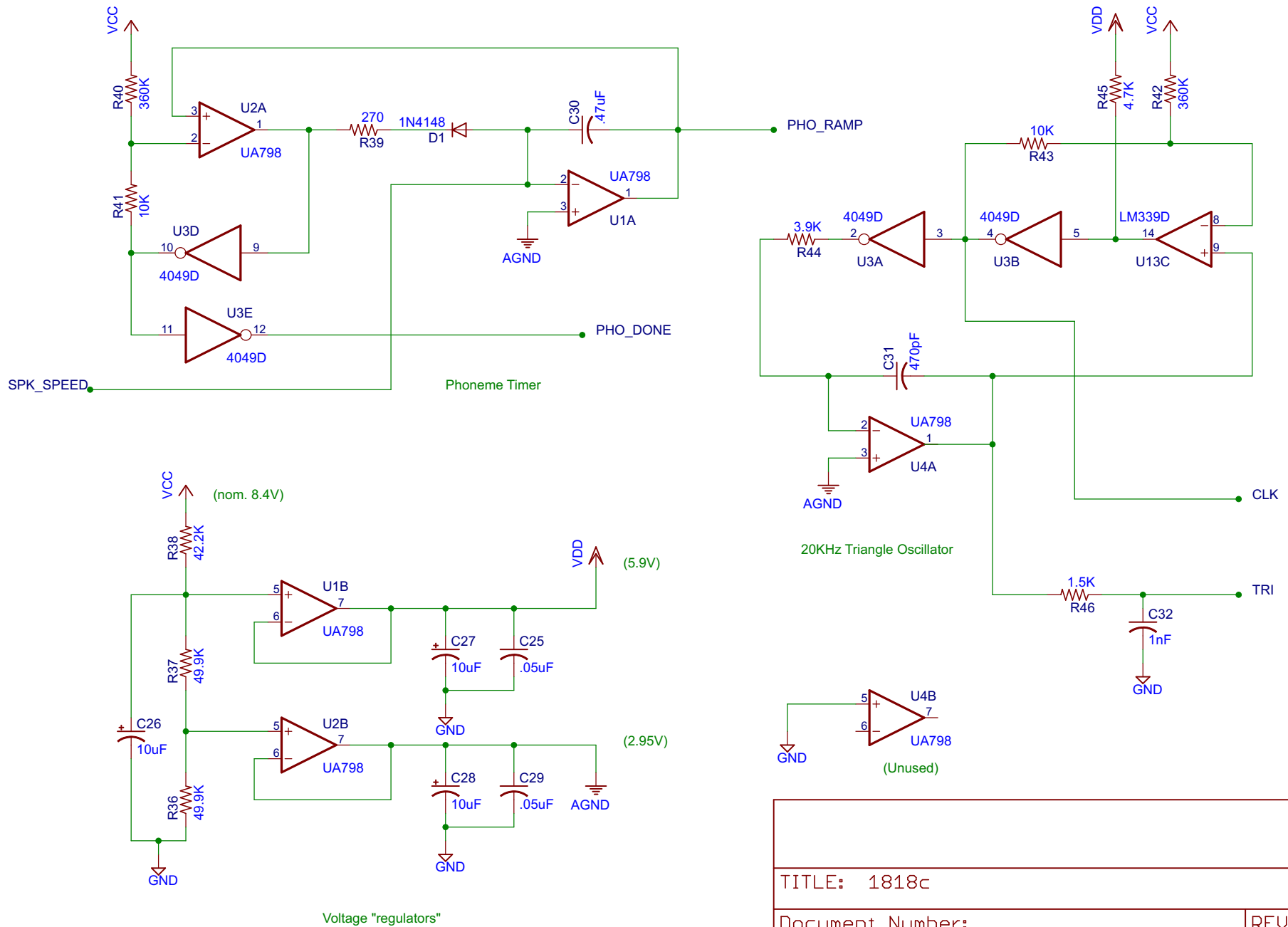
TITLE: 1818c

Document Number:

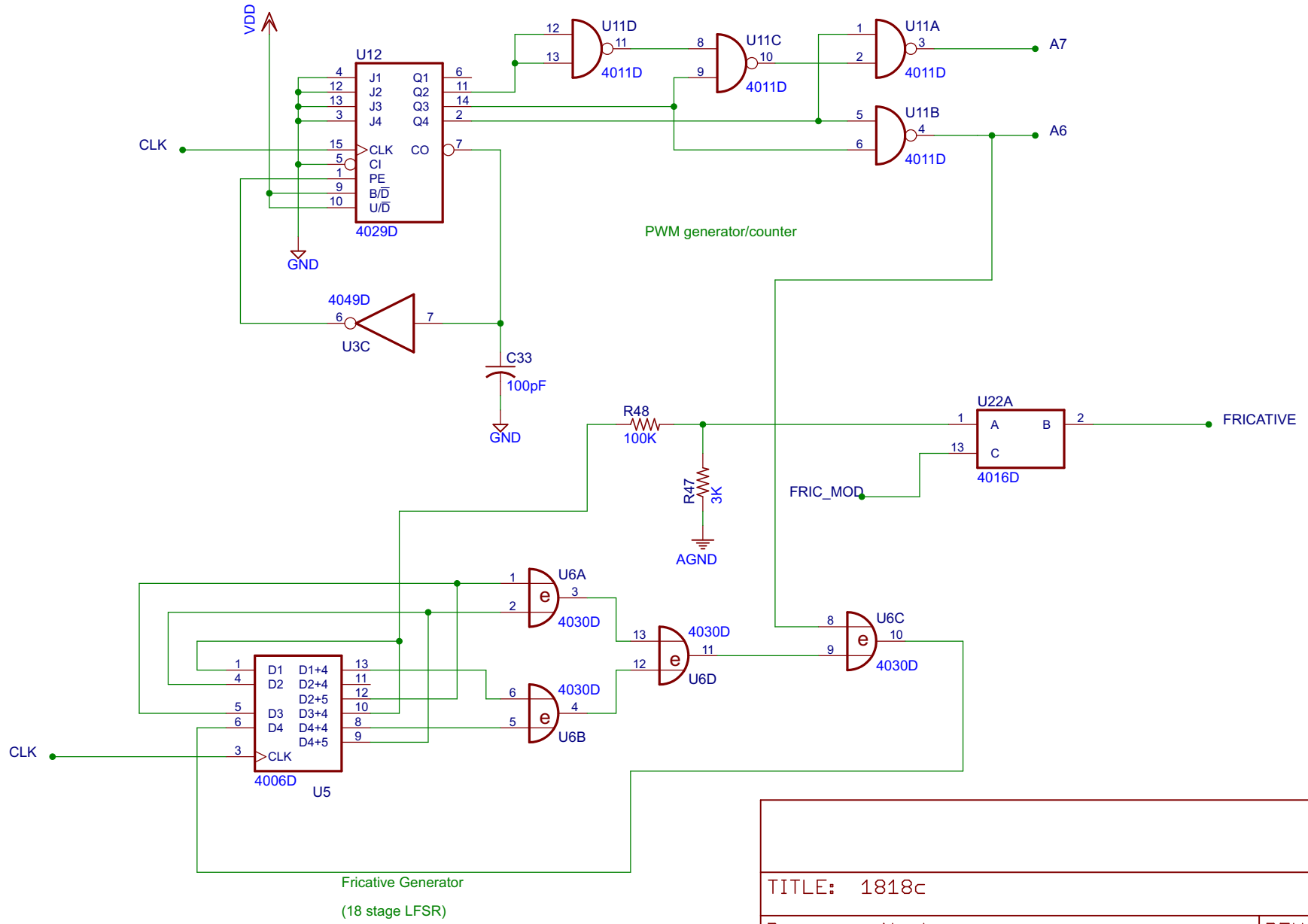
REV:

Date: 8.6.2009 13:49:22

Sheet: 3/11



TITLE: 1818c	
Document Number:	REV:
Date: 8.6.2009 13:49:22	Sheet: 4/11



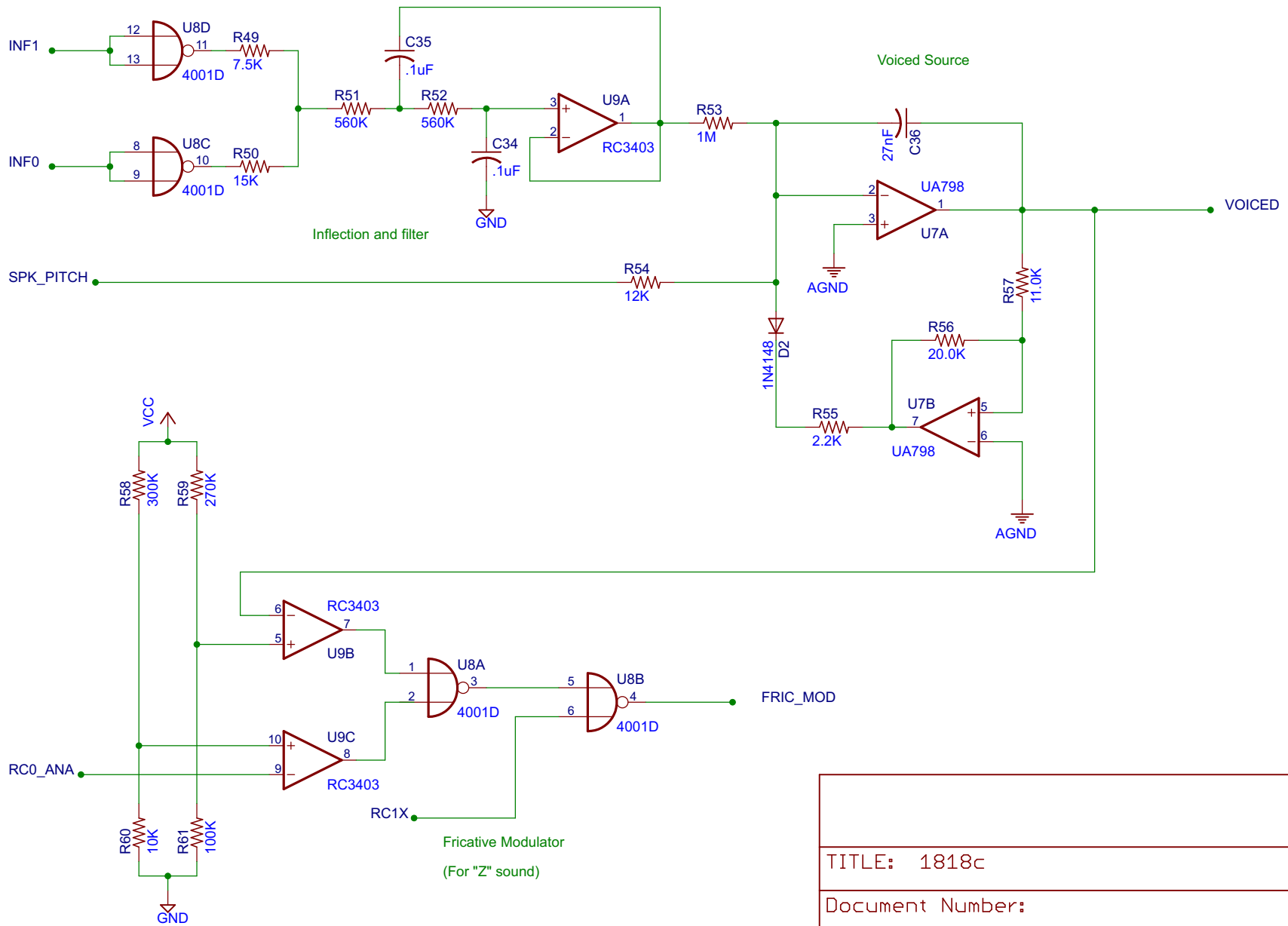
TITLE: 1818c

Document Number:

REV:

Date: 8.6.2009 13:49:22

Sheet: 5/11



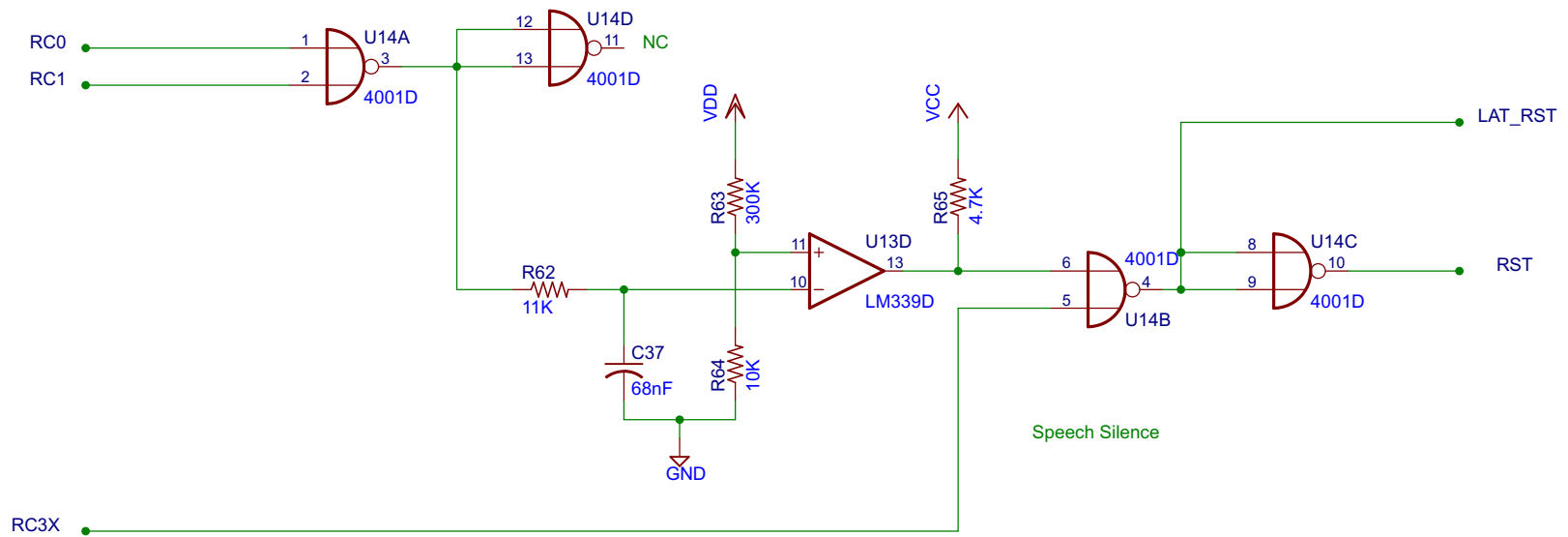
TITLE: 1818c

Document Number:

REV:

Date: 8.6.2009 13:49:22

Sheet: 6/11



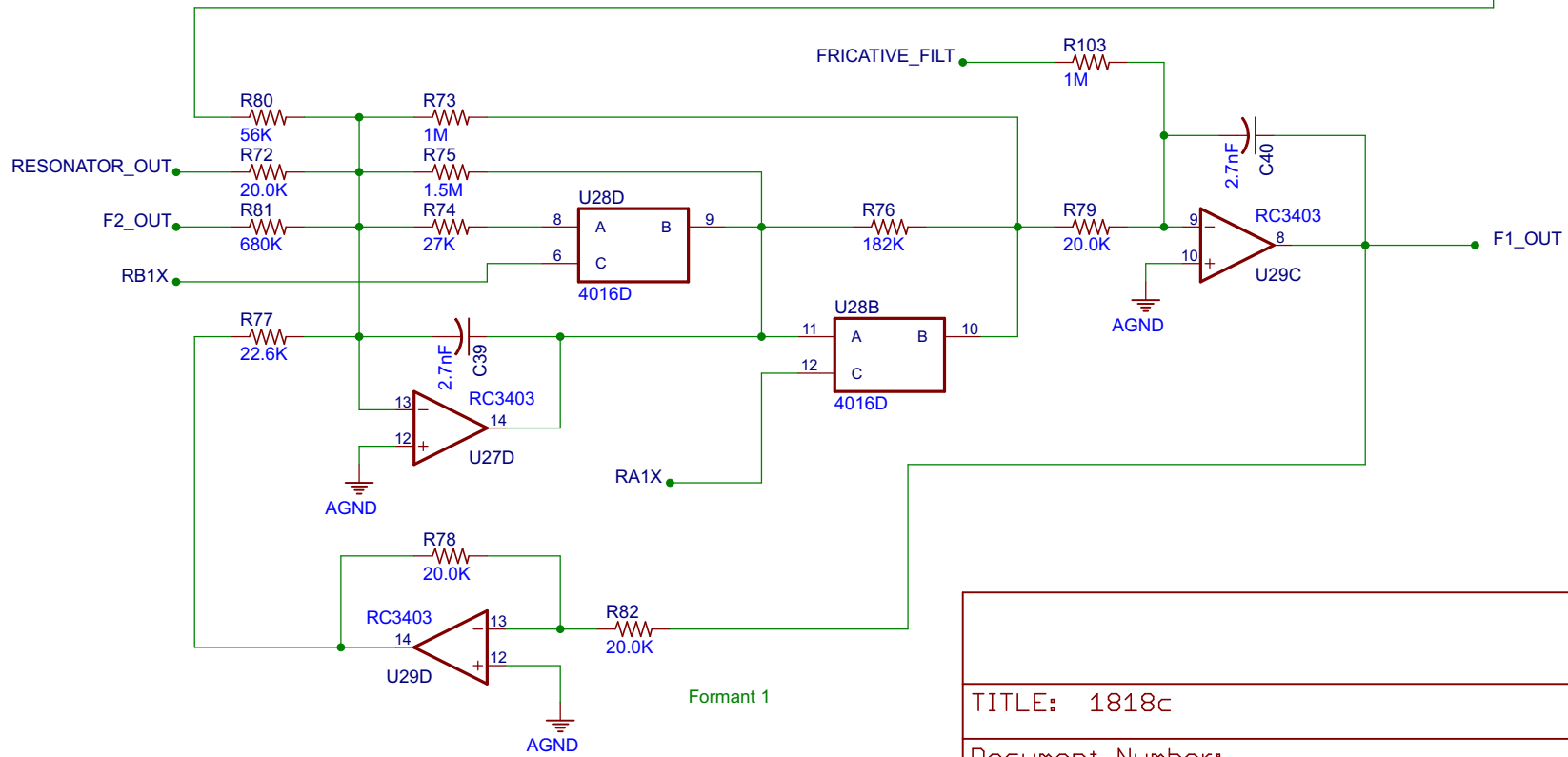
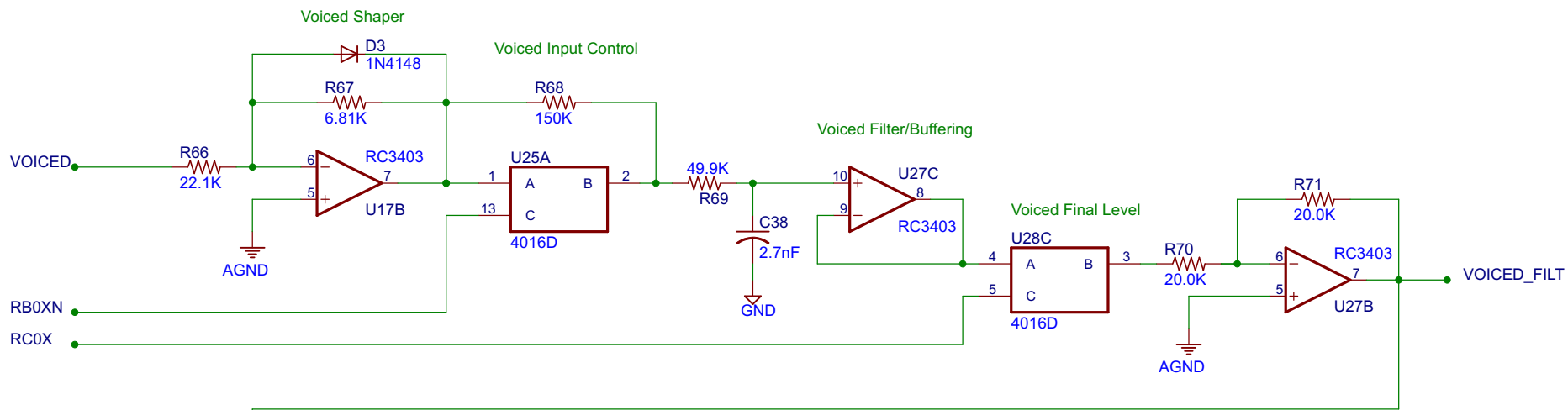
TITLE: 1818c

Document Number:

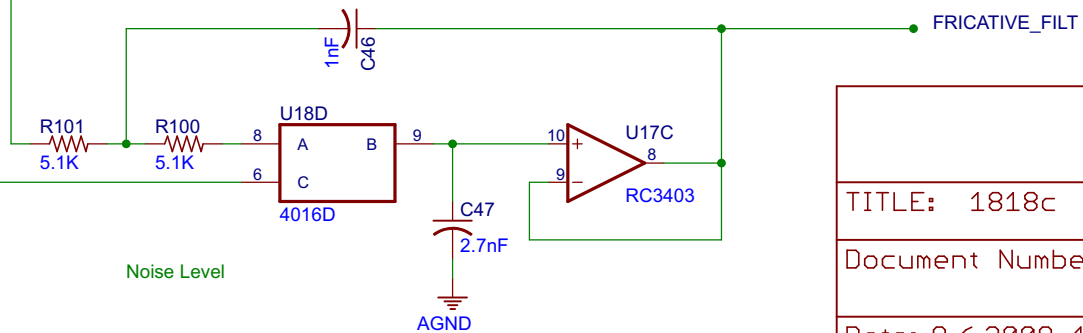
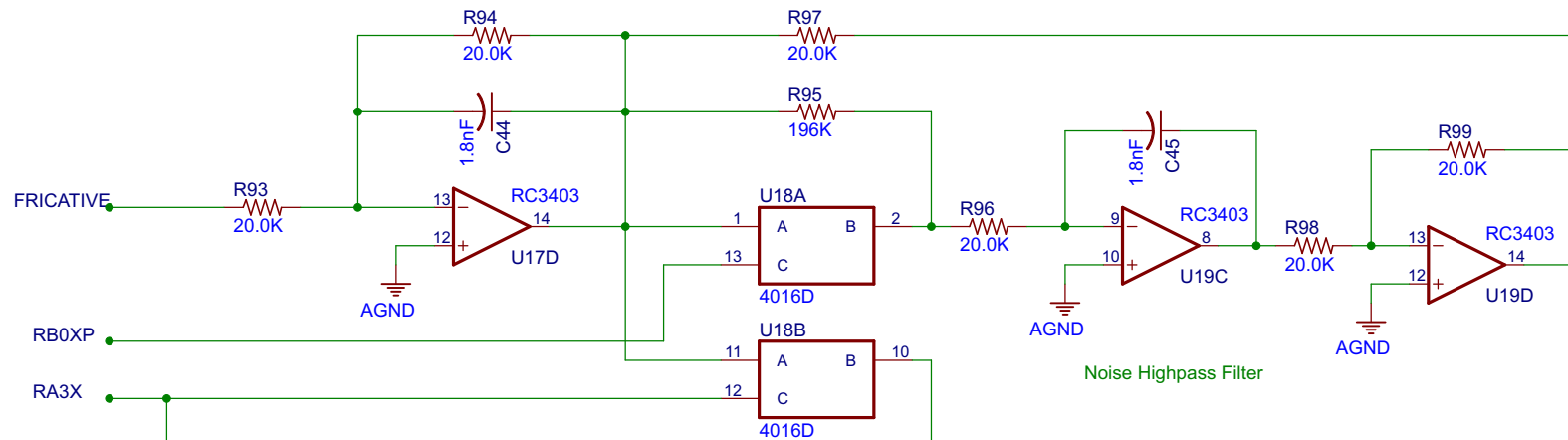
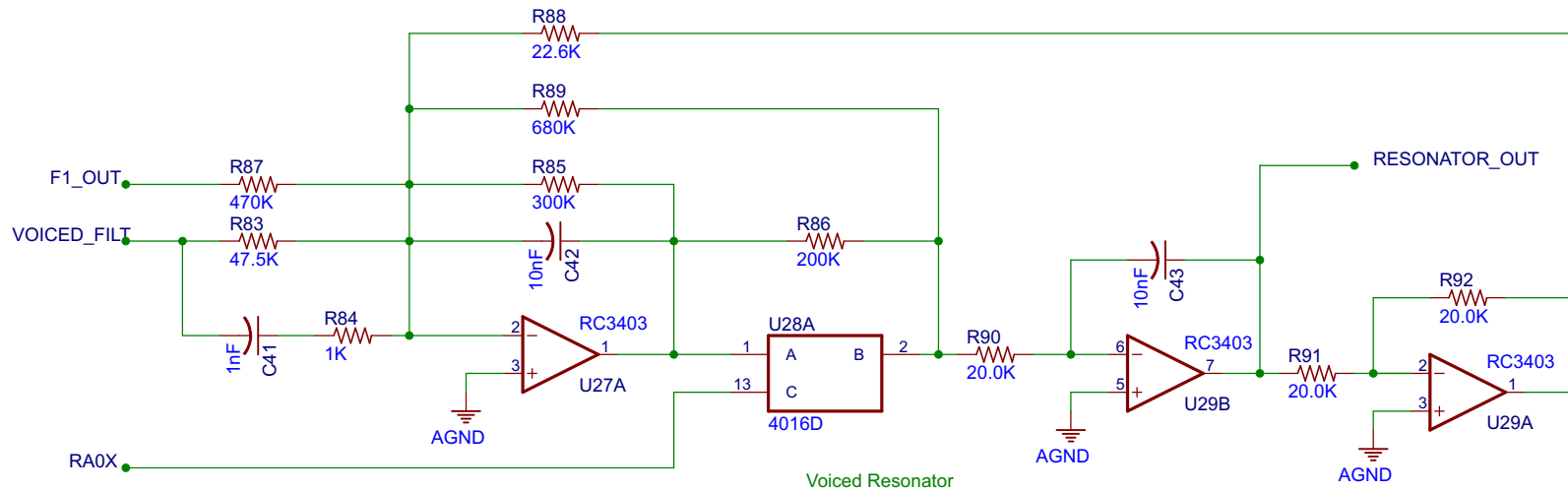
REV:

Date: 8.6.2009 13:49:22

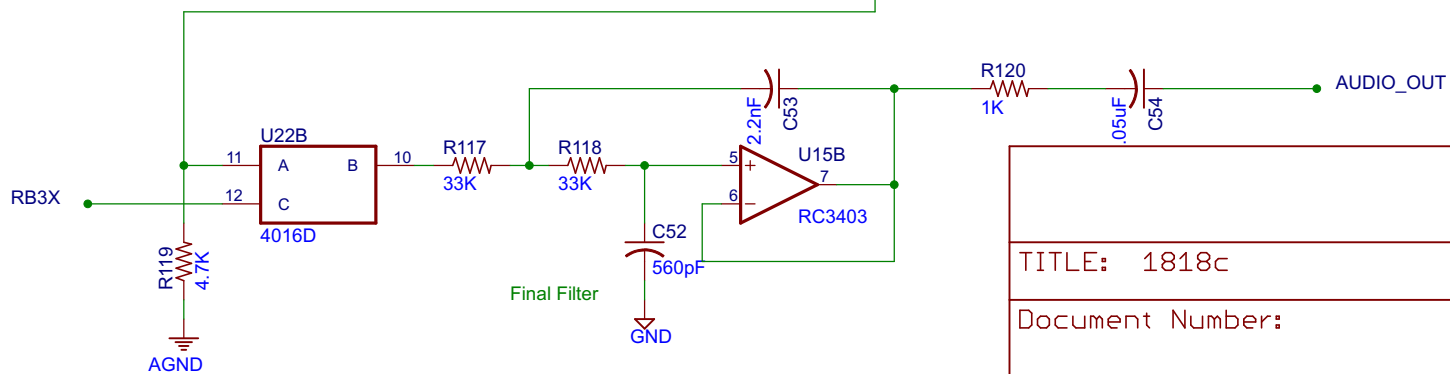
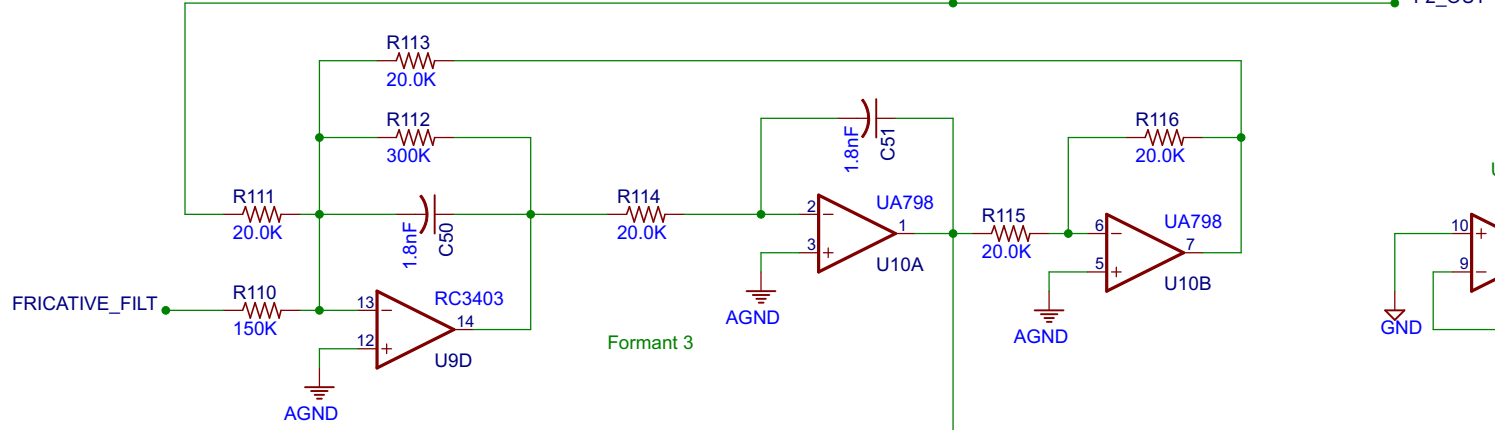
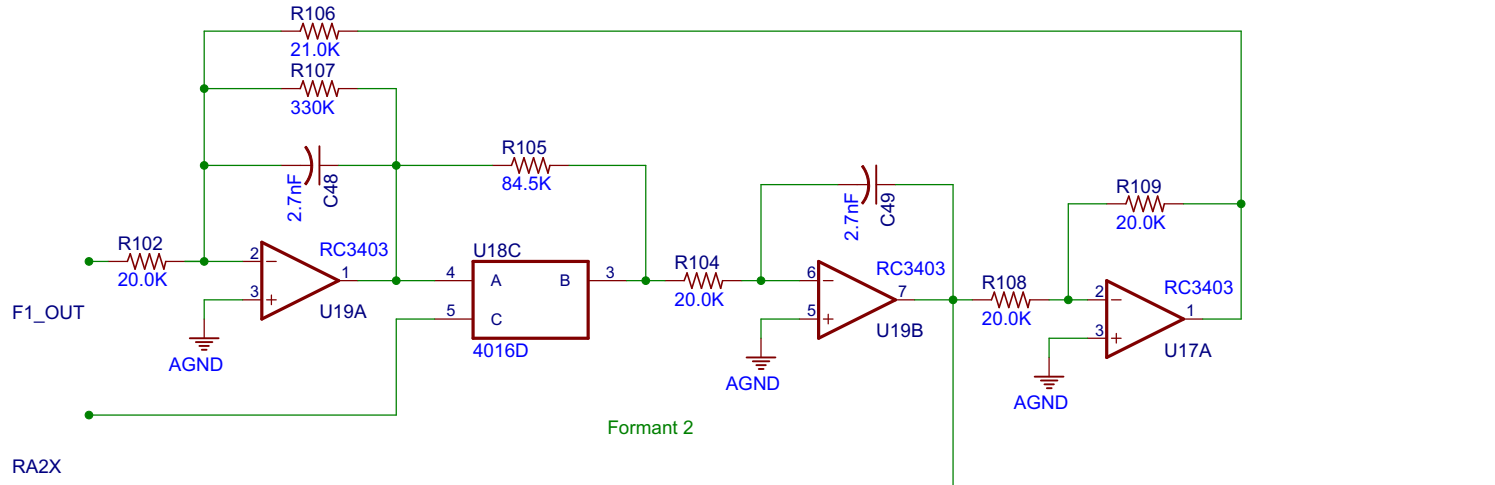
Sheet: 7/11



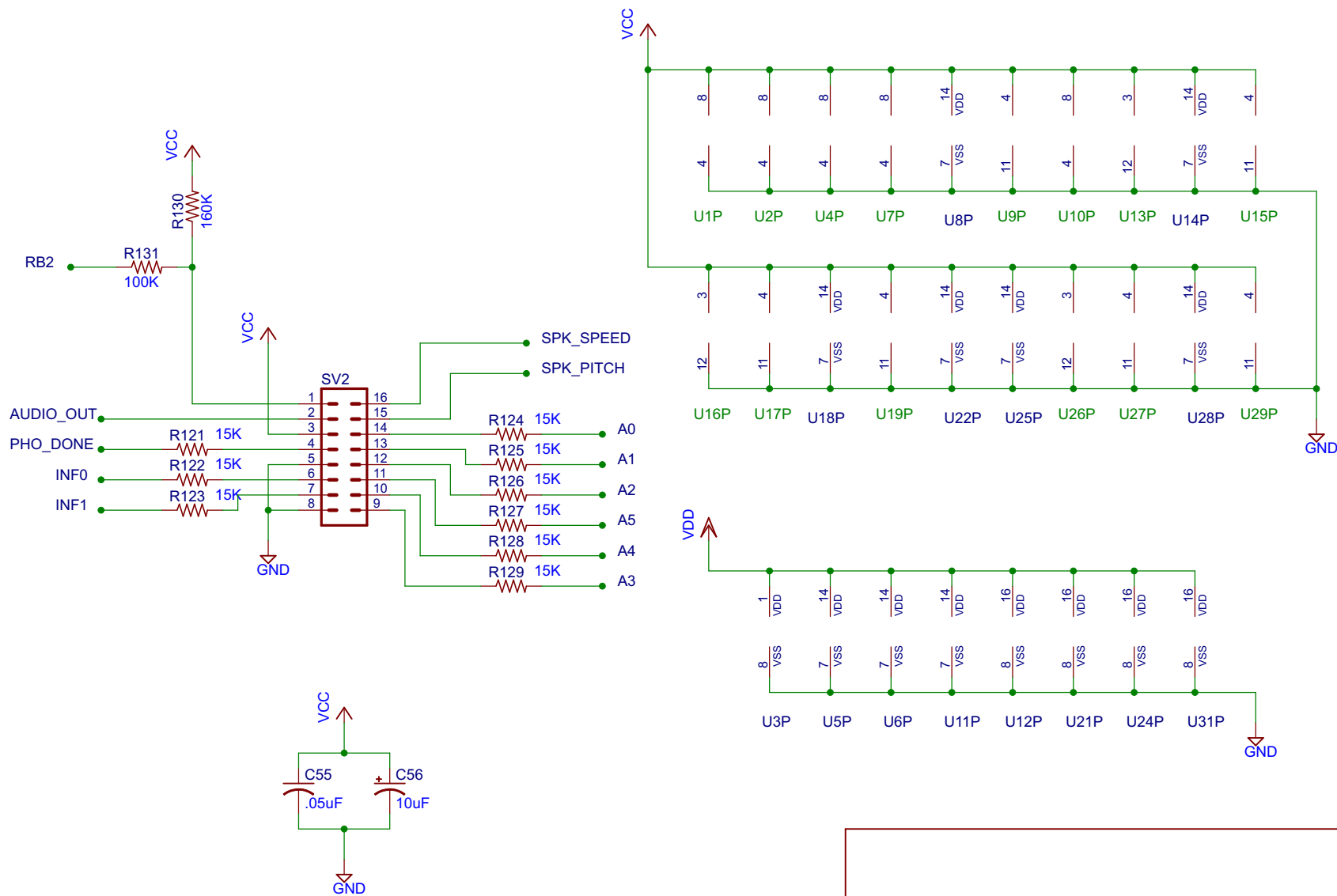
TITLE: 1818c	
Document Number:	REV:
Date: 8.6.2009 13:49:22	Sheet: 8/11



TITLE: 1818c	
Document Number:	REV:
Date: 8.6.2009 13:49:22	Sheet: 9/11



TITLE: 1818c	
Document Number:	REV:
Date: 8.6.2009 13:49:22	Sheet: 10/11



TITLE: 1818c	
Document Number:	REV:
Date: 8.6.2009 13:49:22	Sheet: 11/11